

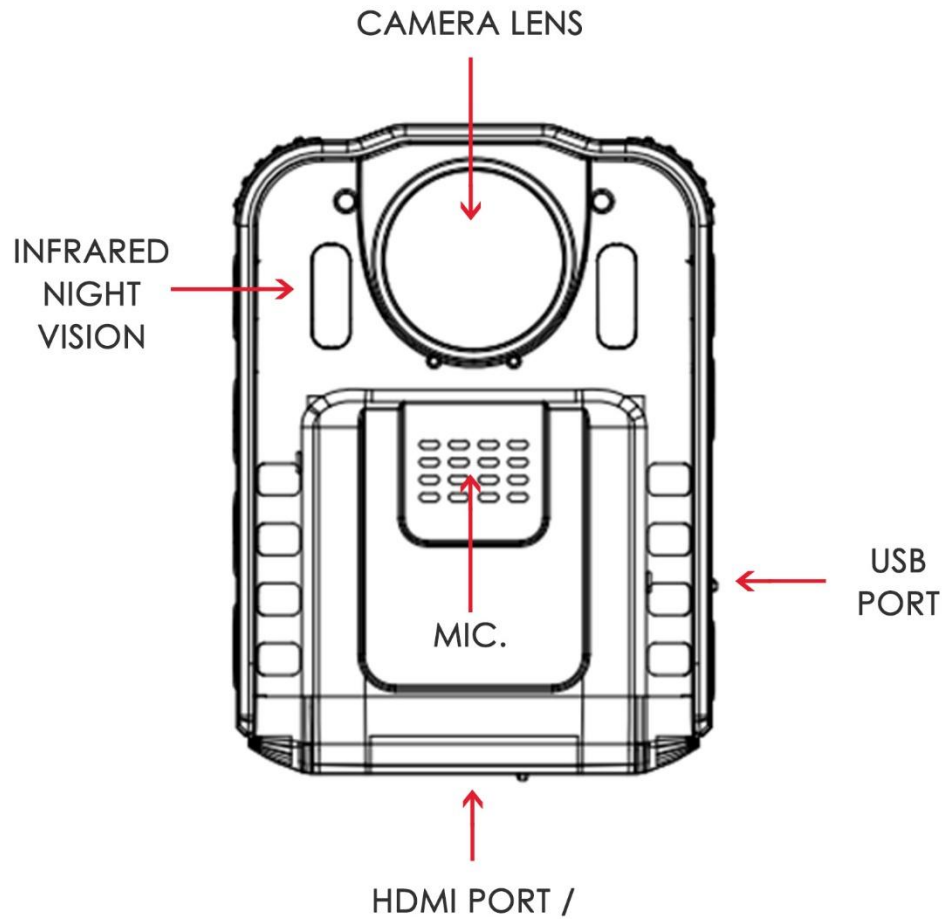
# User Manual for RX-2S Version 2.0



## **RX-2S** **BODY WORN CAMERA**

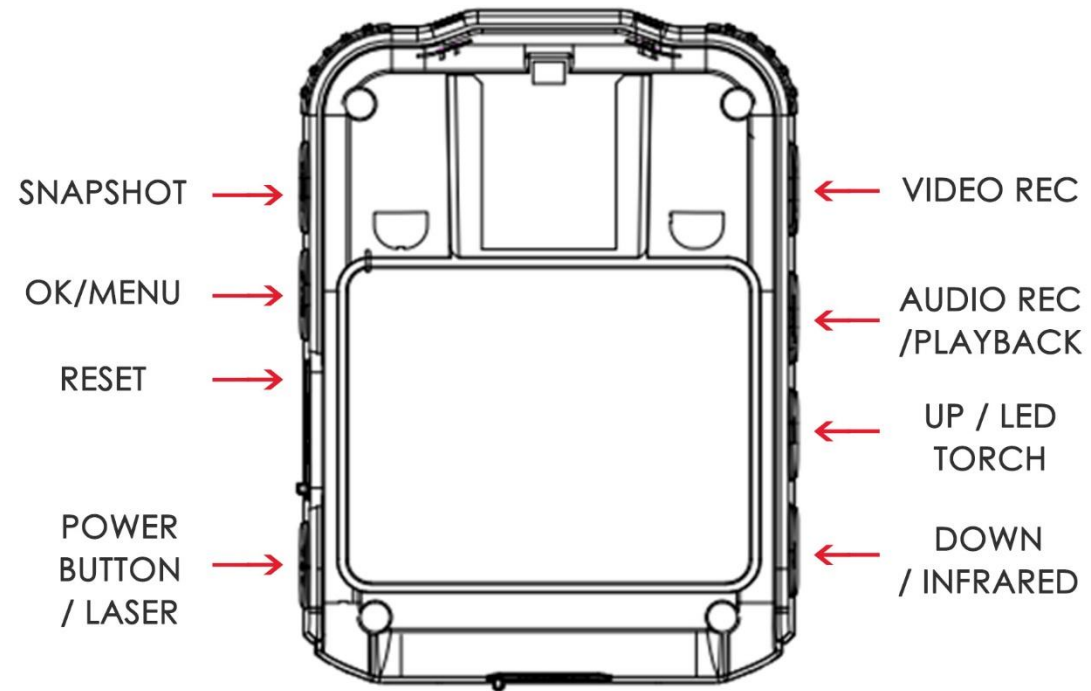
# 1. Product Overview

## FRONT

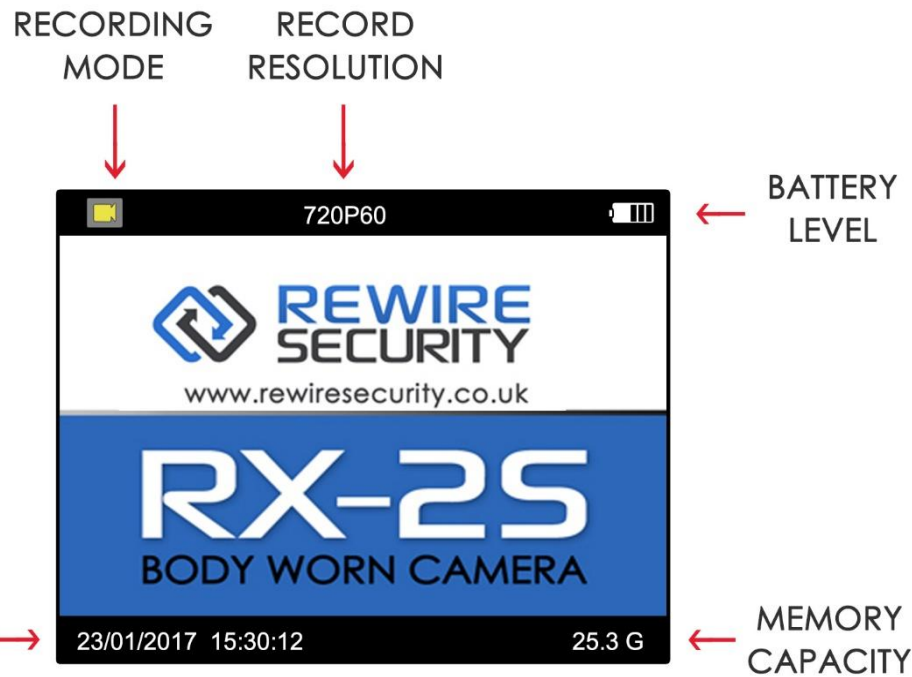


# 2. Product Overview

## BACK



### 3. LCD Display



### Charging

Please fully charge the camera before use. To charge the RX2s(v2) connect the supplied mini USB cable to the back of the charging dock and then to either a computer or USB charging plug. The red LED charging light will light up on the top of the camera and will go out once charged.

### 4. Basic Operation

#### Turning the Camera ON/OFF

Press and hold the POWER/LASER button on the side of the camera to turn the camera ON or OFF.

#### Night Vision

Infrared night vision is OFF by default. To manually activate or disable night vision press the DOWN/INFRARED button once to activate and again to disable. The RX2s(v2) also supports automatic night vision that can be activated in the configurations menu.

#### Laser Pointer

The RX2s(v2) is fitted with a laser alignment tool. This can be used to help align the camera once attached. To activate and disable the laser tap the POWER/LASER button once to activate and again to disable. Please note that the laser pointer should only be used for this purpose of camera alignment.

#### Media Playback

To enter the media playback mode press and hold the AUDIOREC/PLACKBACK button. Navigate between the recorded media using the UP/TORCH button and the DOWN/INFRARED button. Press the OK/MENU button to playback the current file. To exit the playback menu press and hold the AUDIOREC/PLACKBACK button. Please note recorded files are protected and can only be deleted by connecting the camera to a computer.

## 5.

## Functions

### LED Torch

To activate the built-in LED torch press UP/TORCH button once to activate and once again to disable.

### Configuration menu

To enter the settings menu press the OK/MENU button. Once in the settings menu use the UP/DOWN button to navigate through the cameras menus, the OK/MENU button is used to confirm. To exit the settings menu press and hold the OK/MENU button.

The following settings can be configured from the settings menu.

#### VIDEO RESOLUTION

1296P 1728x1296

1080FHD 1920x1080

720P60 1280x720

720P30 1280x720 (recommended)

WVGA 848x480

VGA 640x480

#### LOOP RECORD (File Split Time)

OFF

3 Minutes

5 Minutes

10 Minute (recommended)

The time between each new recorded file.

## 6.

## Functions

#### WDR

ON (recommended)

OFF

Aids the cameras performance in varying light conditions

#### MOTION DETECTION

ON

OFF (recommended)

#### PHOTO RESOLUTION

34M

21M

12M

10M (recommended)

8M

5M

3M

2M

VGA

1.3M

#### SEQUENCE

OFF (recommended)

3P

5P

10P

The quality of still images taken when the SNAPSHOT button is pressed

## 7.

## Functions

### QUALITY

Fine

Normal (recommended)

Economy

### DATE/TIME

Adjust date/time and date/time format, that will be watermarked into recorded media

### CAMERA ID

Set a unique ID for the camera, that will be watermarked into recorded media

### KEY TONE

OFF

ON (recommended)

### LANGUAGE

Choose the language of the on screen menus

### SCREEN SAVER

OFF

3 Minutes (recommended)

5 Minutes

10 Minutes

### AUTO POWER OFF

OFF

3 Minutes

5 Minutes

10 Minutes

## 8.

## Functions

### G-SENSOR

OFF (recommended)

Low Sensitivity

Middle Sensitivity

High Sensitivity

### INFRARED SWITCH

Automatic (recommended)

Manually

### VIDEO DELAY

OFF (recommended)

3 Minutes

5 Minutes

10 Minutes

### FORMAT

Erase all recorded data and logs from the cameras internal memory.

### VERSION

Details on the current installed firmware

## TV Connection

The camera can be connected to a larger screen for playback of recorded files via a mini HDMI to Standard HDMI cable. (optional)

## Downloading recorded data

Connect the charging dock to the computers USB port using the supplied mini USB cable, The red LED power indicator on the dock will light up once connected. Turn the camera on by pressing and holding the POWER/LASER button. Once turned on, dock the camera into the dock and wait for the camera to switch to syncing mode on the cameras display. Then press the OK/MENU button to confirm syncing. The camera will appear as a MASS STORAGE device on the computer for file archiving. Once finished always empty the Recycle Bin (windows), Trash(Mac) and safely eject the camera before disconnecting.

## Notes of use

- Avoid using the camera near strong magnetic fields.
- Avoid shining light directly into the cameras lens.
- Misuse of the camera may cause loss of data.
- Between each use of the camera it is recommended that ant recorded data is backed up to a computer.
- Avoid allowing the camera battery to go completely flat.
- Always fully charge the camera before use or period of storage
- The cameras battery should be charged every 30 days regardless of use.

## Specifications

**Video Resolution-** 1296p,1080p,720p60,720p30,WVGA,VGA

**Video Format-** MP4 H.264

**Sensor-** 1/3 Colour CMOS focus 0.3

**Lens-** 170 degree wide angle

**Audio-** built-in speaker and recording microphone (64KHZ)

**Still Resolution-** 34M-1.3M (Mega Pixel)

**Stills Format-** JPG

**Display-** Built-In 2.0inch 16:9 TFT LCD

**Night Vision-** Auto activation IR night vision (6 IR LED)

**Storage-** Built-in 32GB memory.

**Interfaces-** Mini USB2.0 (charging data sync) HDMI (tv out)

**Battery-** Rechargeable 3.7v 2600mAh lithium battery

**Dimensions-** 78mm x 55mm x 32mm

**Weight-**120g

**Working Temperature-** -30c to +65c

### Advanced Specs

**Shutter Speed-** Electronic shutter /1/2-1/2000 seconds

**White Balance-** Automatic

**Exposure Mode-** Auto Exposure

### Other features

**Laser alignment tool**

**Flash light**

**KlickFast ready**

**Charging and syncing dock**

**HDMI TV out**