

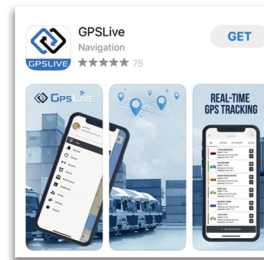
# Installation Guide

## WARNING

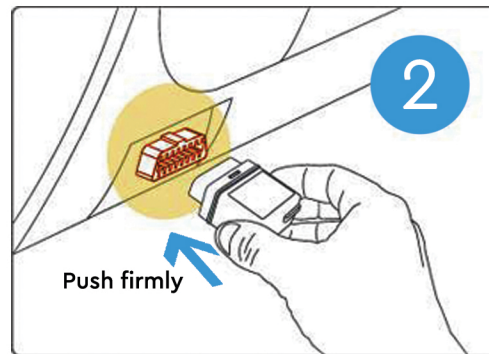
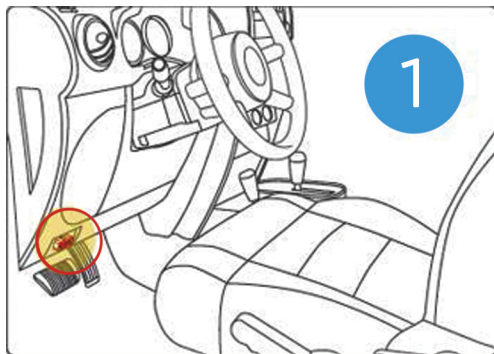
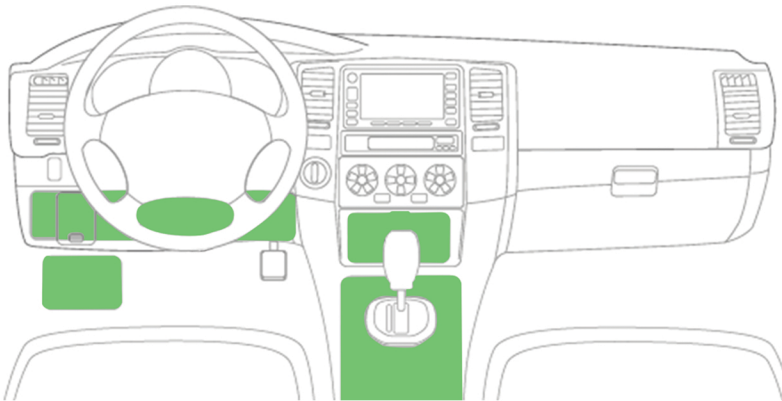
IF YOUR SUBSCRIPTION RUNS OUT, YOUR VEHICLE WILL NOT BE PROTECTED AGAINST THEFT AND TRACKING WILL BE DISABLED DURING THIS PERIOD.

## Accessing your account

To access your account please visit: [WWW.GPSLIVE.CO.UK](http://WWW.GPSLIVE.CO.UK) or get our free to download app GPSLive on Google Play or Apple App Store.



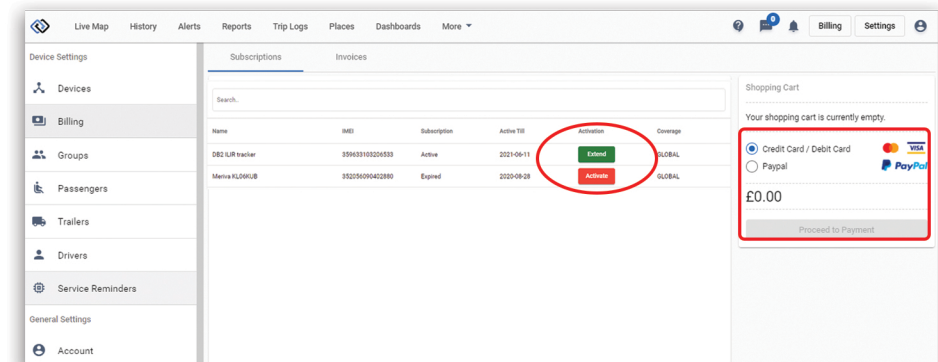
## Typical location of the OBD port



If you just installed the tracker, it may take up to 10 minutes to establish an initial GPS fix. If you take your vehicle for a drive, it will allow it to establish a GPS satellite fix faster.

## How do I manage my subscription?

Visit [WWW.GPSLIVE.CO.UK](http://WWW.GPSLIVE.CO.UK) and follow the instructions below:



Click on Billing  
In the top right corner

Click on Subscribe  
on the device you wish to  
activate or extend

Proceed to the  
payment  
screen

If you have purchased this device with subscription, it will have already been added to your account. You'll receive your login details via email if you're a new user.